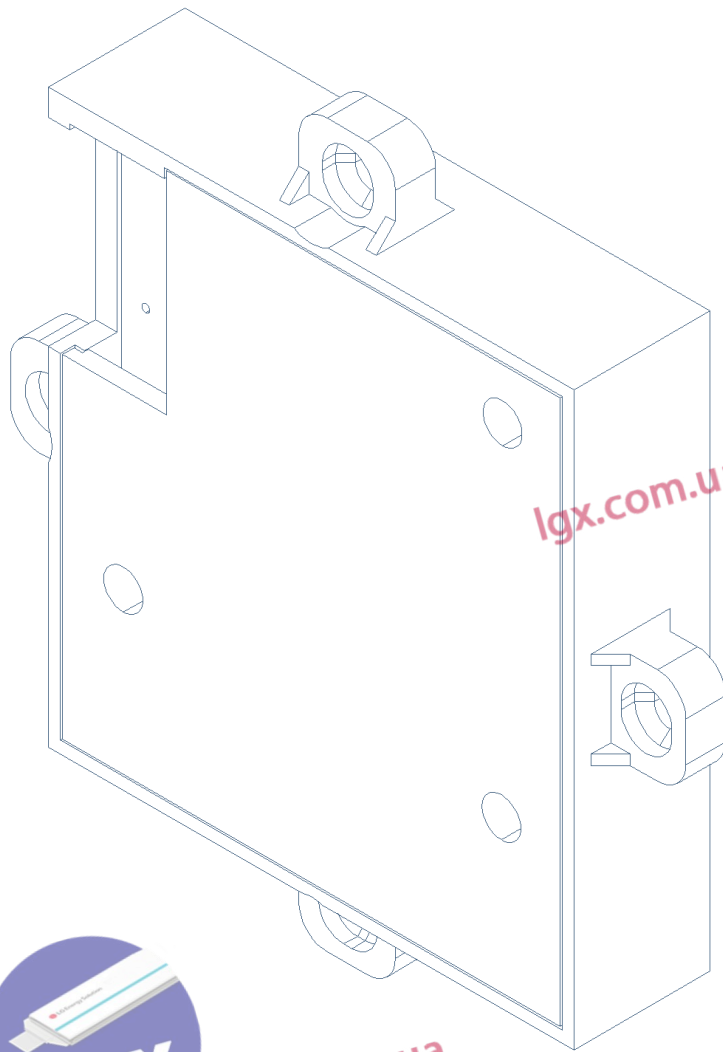


Product Specification

Part Number: ANT-GPRS-4G



Edition: V1.0
Date: 2020-12-20

1. Product overview

ANT-GPRS-4G is a 4G LTE cat 1 DTU with GPS positioning and BLE functions. The battery status can be viewed remotely, and the battery can be upgraded to OTA / set parameters / power off remotely.

- ★ The 4G band is 900 / 1800MHz;
- ★ GPS positioning supports BDS / GPS / GLONASS multi system joint positioning and single system independent positioning;
- ★ BLE support Wechat applet and IOS/ Android APP;
- ★ The backstage adopts two display modes: Web page and wechat applet;
- ★ GPS positioning information and battery status information are uploaded to the server every 30s, and the server circularly saves 30 days of historical data.

The product is applicable to all BMS products of our company and can be freely combined with BMS.

1.1 technical parameter:

Index	Parameter	Detail	Remark
1	Total supply voltage	Battery pack self powered, 30-150v DC input	Power controlled by BMS
2	Working state power consumption	< 10mA (72V)	
3	Sleep state power consumption	< 5mA (72V)	wake up automatically
4	Working temperature	-40 ~ 85 °C	
5	Storage temperature	-40 ~ 95 °C	
6	Working humidity	5% ~ 95%	Conformal Coating
7	Installation of SIM card	SIM-Plus / SIM card slot	Default SIM-Plus
8	Interface	TTL	PH2.0*6 Provide connection line with BMS
9	Positioning accuracy	<10m	
10	Speed measurement accuracy	<1m/s	
11	Antenna interface	built-in	The iron box needs to be slotted
12	Number of servers that can be connected	2	Default connection to ANT server Another can connect to the client server
13	Upload cycle	30s	Settable
14	Size	70 x 75x 11 mm	
15	Weight	50g	

1.2 Description of LED working indicator: (DTU is equipped with a red light and a blue light)

LED flashing takes a cycle of flashing times to represent different meanings. There are two cycles, 5 seconds each.

Refer to the table below for details

	GPS not located	GPS located	Red light - Slow flash
BLE connected	1	2	On for 250ms, off for 250ms
BLE unconnected	3	4	5 seconds per cycle
	BMS unconnected	BMS connected	Red light-quick flash
	1	2	On for 10ms, off for 490ms
			5 seconds per cycle
	master server unconnected	master server connected	Blue light-Slow flash
Customer server unconnected	1	2	On for 250ms, off for 250ms
Customer server connected	3	4	5 seconds per cycle
	PDP not active	PDP activated	Blue light -quick flash
	1	2	On for 10ms, off for 490ms
			5 seconds per cycle
Remark: 1, 2, 3, 4 Represents the number of flashes in 5S			

Examples:

Bluetooth unconnected, **GPS** located, **BMS** connected

The red light flashes twice in the first 5S (Slow flash)

The red light flashes twice in the next 5S (quick flash)

Customer server connected, **master server** connected, **PDP** activated

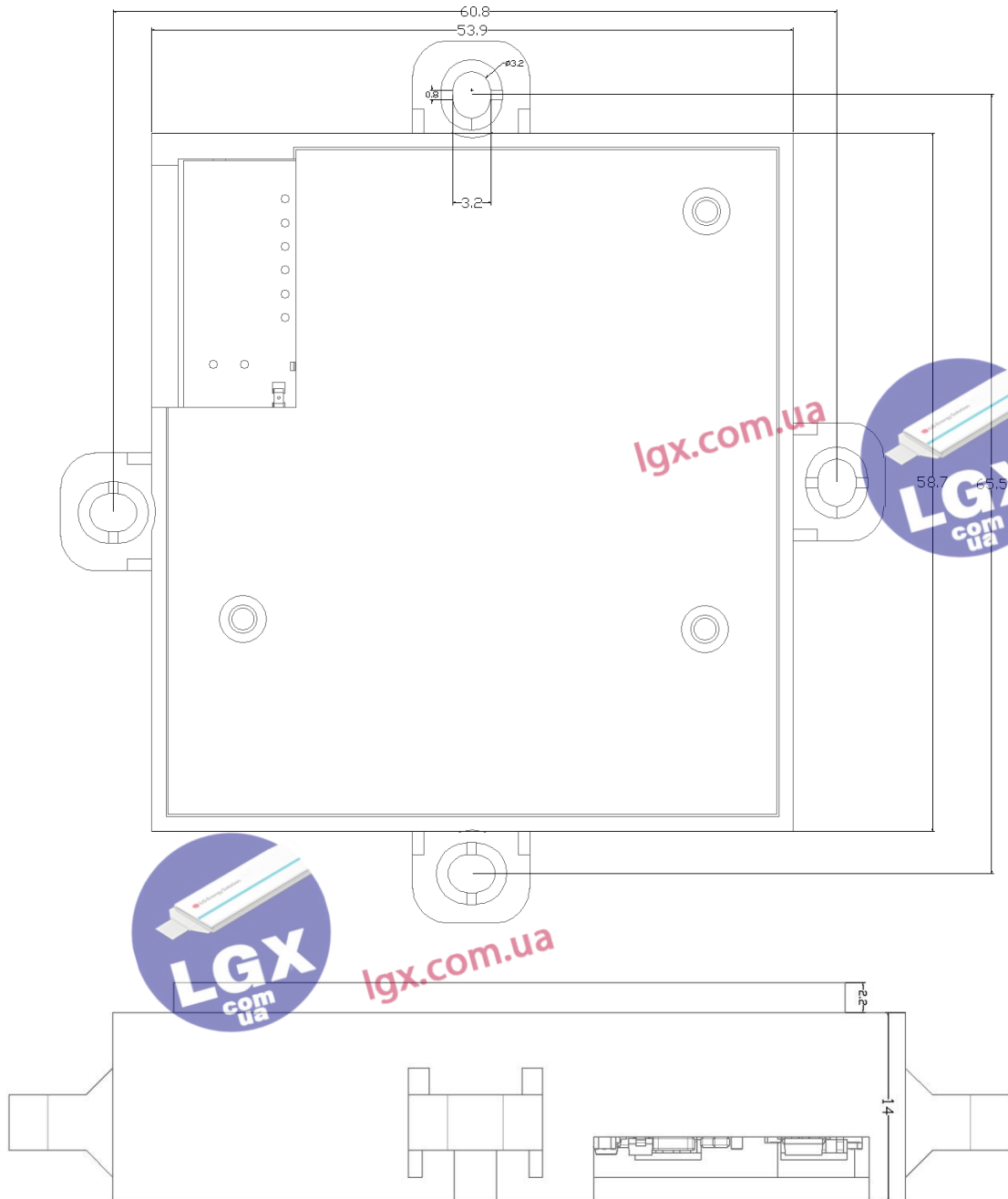
The blue light flashes four times in the first 5S (Slow flash)

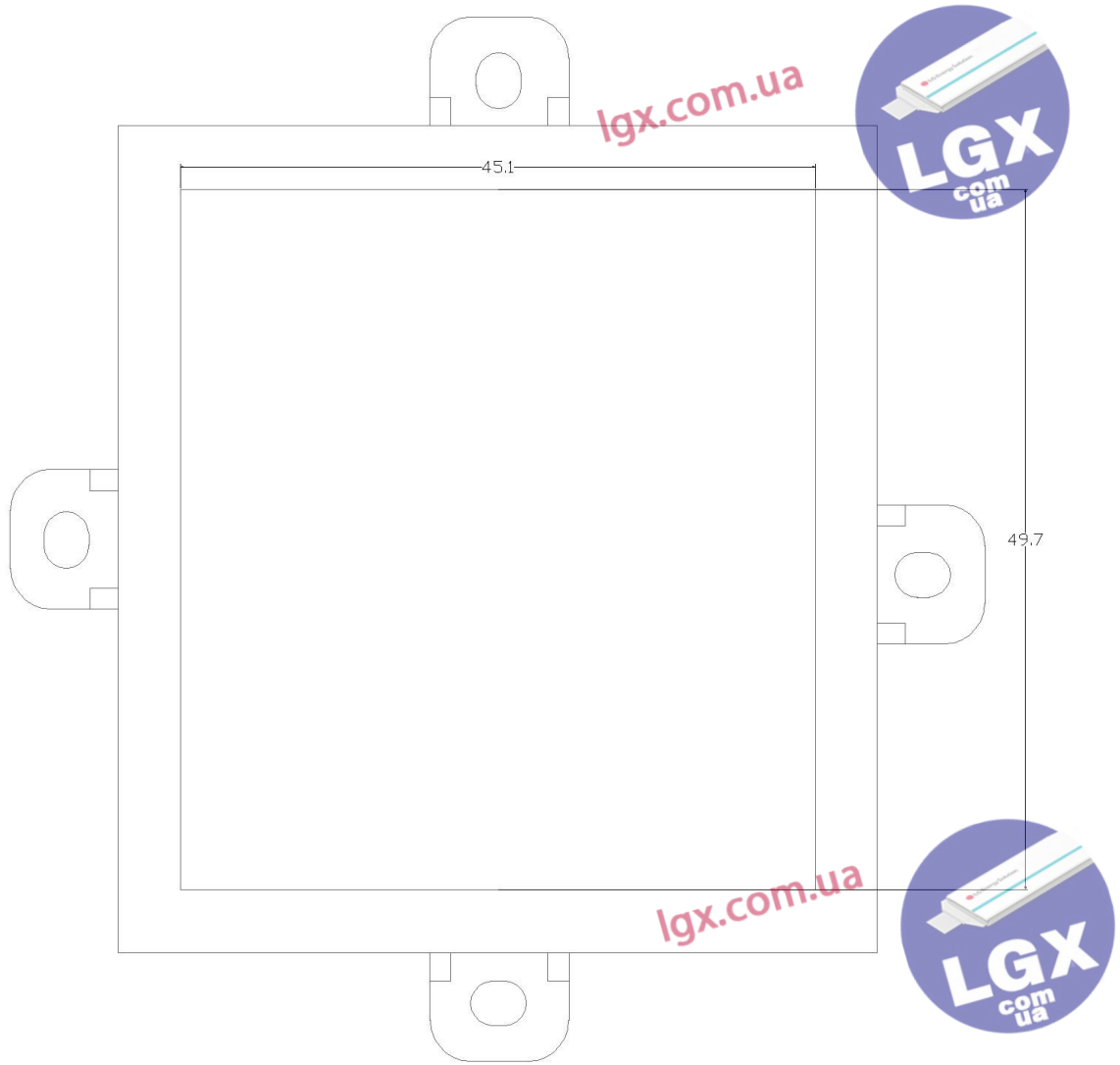
The blue light flashes twice in the next 5S (quick flash)



2. Install

2D drawing of installation dimension





The iron box needs to be slotted. Refer to the drawing for the specific size. The height of rivet of iron box is 6mm away from the inner layer of iron box plane.



3. Web server page

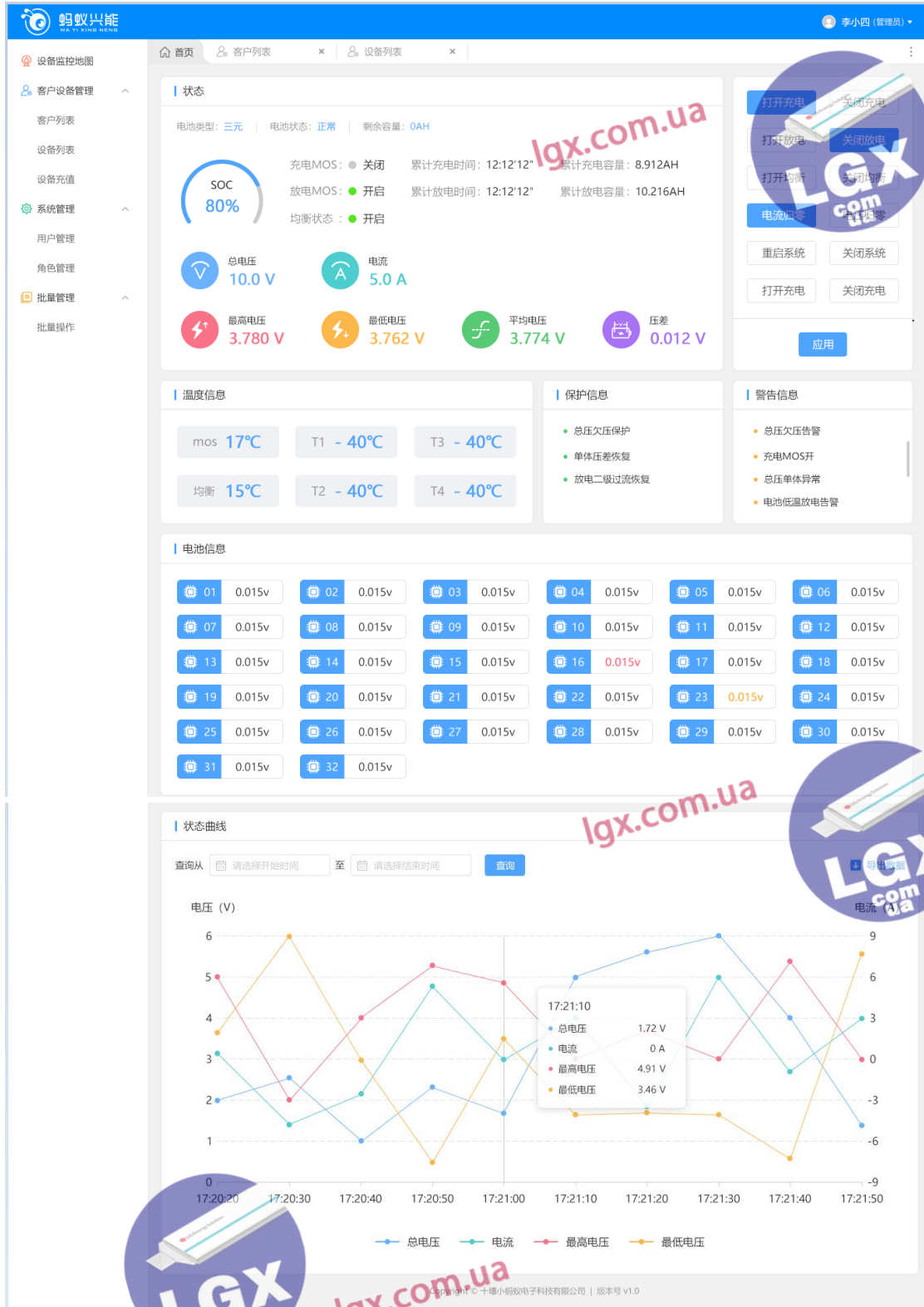
The screenshot shows the '设备列表' (Equipment List) page. It features a search bar with fields for '电池ID' (Battery ID), 'DTU ID', and '设备状态' (Equipment Status). Below the search bar, there are statistics: '总设备数121' (Total devices: 121), '在线数12' (Online: 12), '离线数128' (Offline: 128), '正常12' (Normal: 12), and '异常0' (Abnormal: 0). The main content is a table with 10 rows of equipment data.

序号	电池ID	电压	SOC	充电MOS	更新时间	定位	设备状态	操作
1	ABCDEFGHIJKLMN...12345	72.62	99%	开启	2021-02-21 16:56:13	已定位	在线	控制
2	ABCDEFGHIJKLMN...12345	72.62	99%	开启	2021-02-21 16:56:13	未定位	在线	控制
3	ABCDEFGHIJKLMN...12345	72.62	99%	开启	2021-02-21 16:56:13	已定位	在线	控制
4	ABCDEFGHIJKLMN...12345	72.62	99%	开启	2021-02-21 16:56:13	未定位	在线	控制
5	ABCDEFGHIJKLMN...12345	72.62	99%	开启	2021-02-21 16:56:13	已定位	在线	控制
6	ABCDEFGHIJKLMN...12345	72.62	99%	开启	2021-02-21 16:56:13	已定位	在线	控制
7	ABCDEFGHIJKLMN...12345	72.62	99%	开启	2021-02-21 16:56:13	未定位	在线	控制
8	ABCDEFGHIJKLMN...12345	72.62	99%	开启	2021-02-21 16:56:13	未定位	离线	控制
9	ABCDEFGHIJKLMN...12345	72.62	99%	开启	2021-02-21 16:56:13	已定位	离线	控制
10	ABCDEFGHIJKLMN...12345	72.62	99%	开启	2021-02-21 16:56:13	已定位	离线	控制

home page

The screenshot shows the '设备监控地图' (Equipment Monitoring Map) page. It displays a map with various locations marked. A '轨迹回放控制' (Trajectory Playback Control) dialog box is open, allowing users to select speed and date, and to start, pause, continue, or stop the animation. The map shows a network of roads and several labeled locations.

Equipment monitoring map



Battery details

Parameter setting



lgx.com.ua